

30 SEPTEMBER 1976

TM 11-5135-15LD

---

TECHNICAL MANUAL

Plastic Laminated Diagrams for Operator, Organizational,  
Direct Support, General Support and Depot Maintenance  
**RADIO SET CONTROL AN/GSA-7**  
(NSN 5820-00-543-1397)

---

NOTICE TO USERS

This package contains four diagrams from TM 11-5135-15 that have been plastic laminated for use in the maintenance of Radio Set Control AN/GSA-7. The package also contains a questionnaire on the Usability of Plastic Laminated Diagrams. To help us evaluate the usability of these diagrams, please fill out the questionnaire, fold it where shown and drop it in the mail.

If your package has no questionnaire, you can still express your opinion on the usability of the diagram's by submitting comments and recommendations using DA Form 2028 (Recommended Changes to Publications and Blank Forms). Send to Commander, US Army Electronics Command, ATTN: DRSEL-MA-Q, Fort Monmouth, New Jersey 07703.

CONTENTS

Figure 16.	Radio Set Control AN/GSA-7, Functional Diagram.
Figure 20.	Voltages and Resistances at Tube Sockets.
Figure 25.	Radio Set Control AN/GSA-7, Schematic Diagram.
Figure 26.	Upper Level Chassis, Wiring Diagram.

---

By Order of the Secretary of the Army:

FRED C. WEYAND  
*General, United States Army*  
*Chief of Staff*

Official:

PAUL T. SMITH  
*Major General, United States Army*  
*The Adjutant General*



NOTES

- 1 RELAYS SHOWN IN "RECEIVE VIA RADIO" POSITION WITH NO CARRIER BEING RECEIVED (ALL DEENERGIZED)
- 2 RINGS TELEPHONE WHEN REQUIRED ENERGIZED BY RADIO RING (1600 CPS)
- 3 ENERGIZED BY TELEPHONE RING (20 CPS) TO RING RADIO
- 4 ENERGIZED BY TELEPHONE TO TRANSMIT (TALK).
- 5 HIGH INDUCTANCE LOW DC RESISTANCE OF FIELD PHONE WITH SWITCH CLOSED

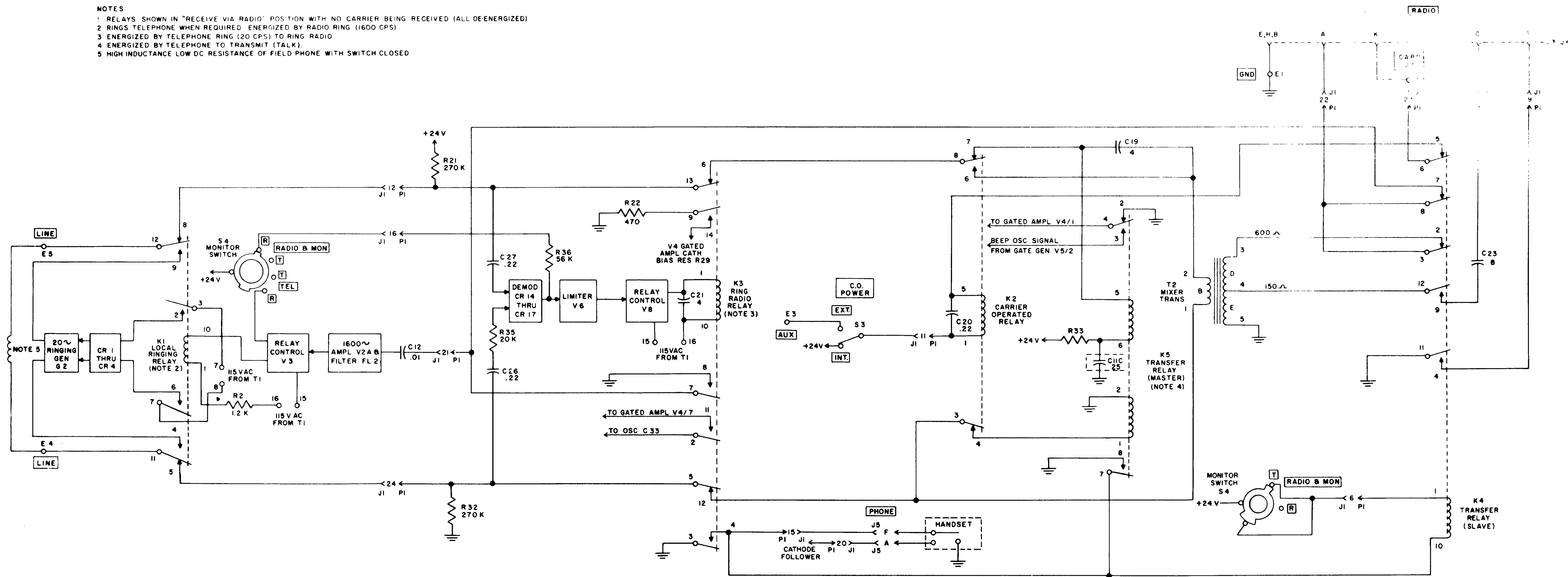
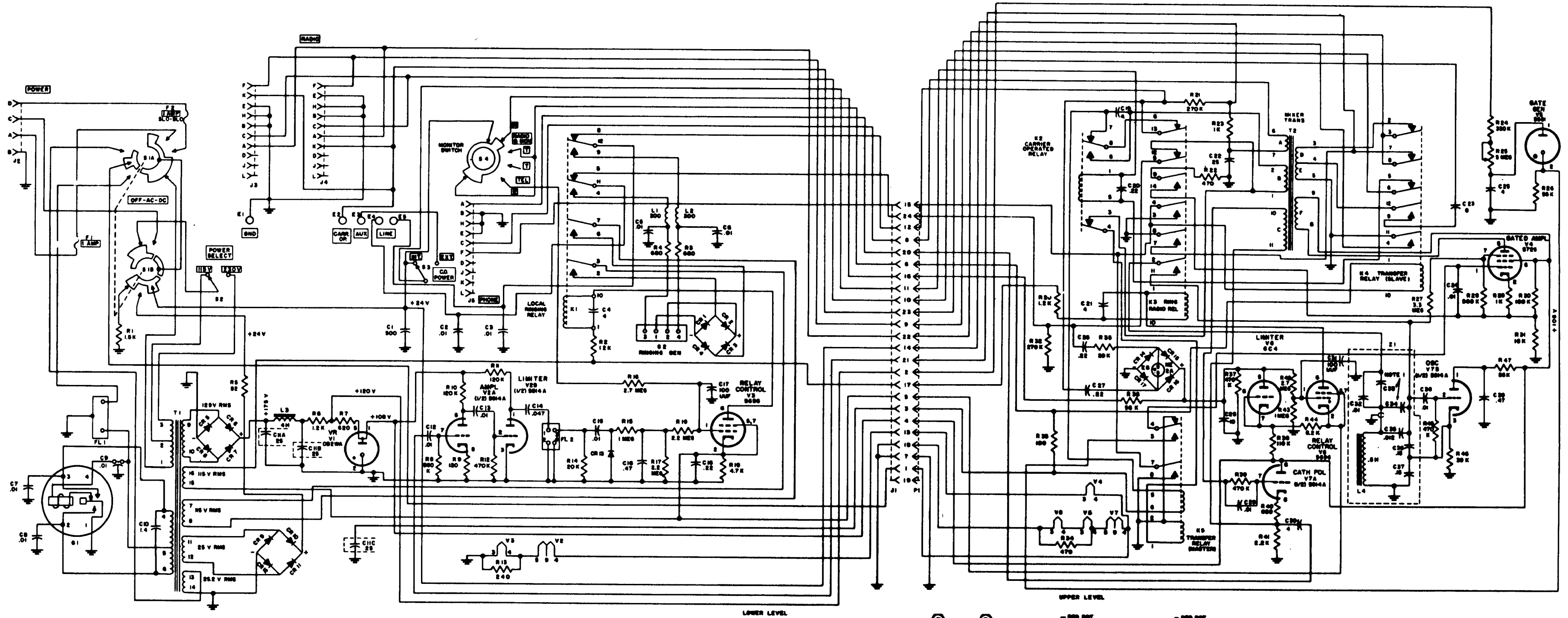


Figure 16. Radio Set Control AN/GSA-7, functional diagram.



NOTES  
 1—VALUES OF C33 & C34 DETERMINED AT FACTORY.  
 2—UNLESS OTHERWISE SHOWN, RESISTORS ARE IN OHMS, CAPACITORS ARE IN UF, INDUCTANCES ARE IN MH.  
 3—ALL RELAYS ARE SHOWN IN DE-ENERGIZED POSITION.  
 4—ALL SWITCHES ARE SHOWN IN CCW POSITION AND VIEWED FROM THE FRONT.  
 5—□ DENOTES EQUIPMENT MARKING.

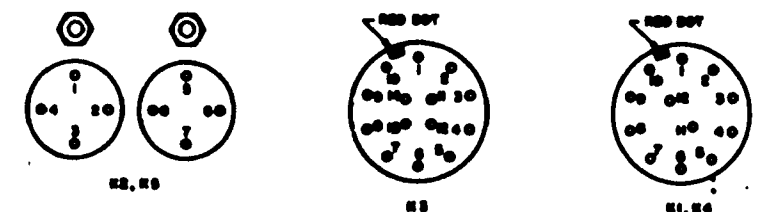


Figure 25. Radio Set Control AN/URA-7, schematic diagram.

NOTES:  
 1. ALL VOLTAGE AND RESISTANCE MEASUREMENTS TAKEN WITH A 20,000 OHMS/VOLTS METER UNDER THE FOLLOWING CONDITIONS:  
 A. SIGNAL SWITCH TO [REAR] POSITION.  
 B. MONITOR SWITCH TO [REAR] POSITION.  
 C. POWER SELECTOR SWITCH TO [REAR] POSITION.  
 D. AC POWER SOURCE OF 115V OR DC POWER SOURCE OF +250V.  
 E. ALL SIGNAL POSTS UNTERMINATED.  
 F. MONITOR HANDSET DISCONNECTED.  
 G. SIGNAL CABLES W 2 AND W 3 DISCONNECTED.  
 2. UNLESS OTHERWISE NOTED ALL VOLTAGES ARE DC.  
 3. DEPENDS UPON SETTING OF RES.

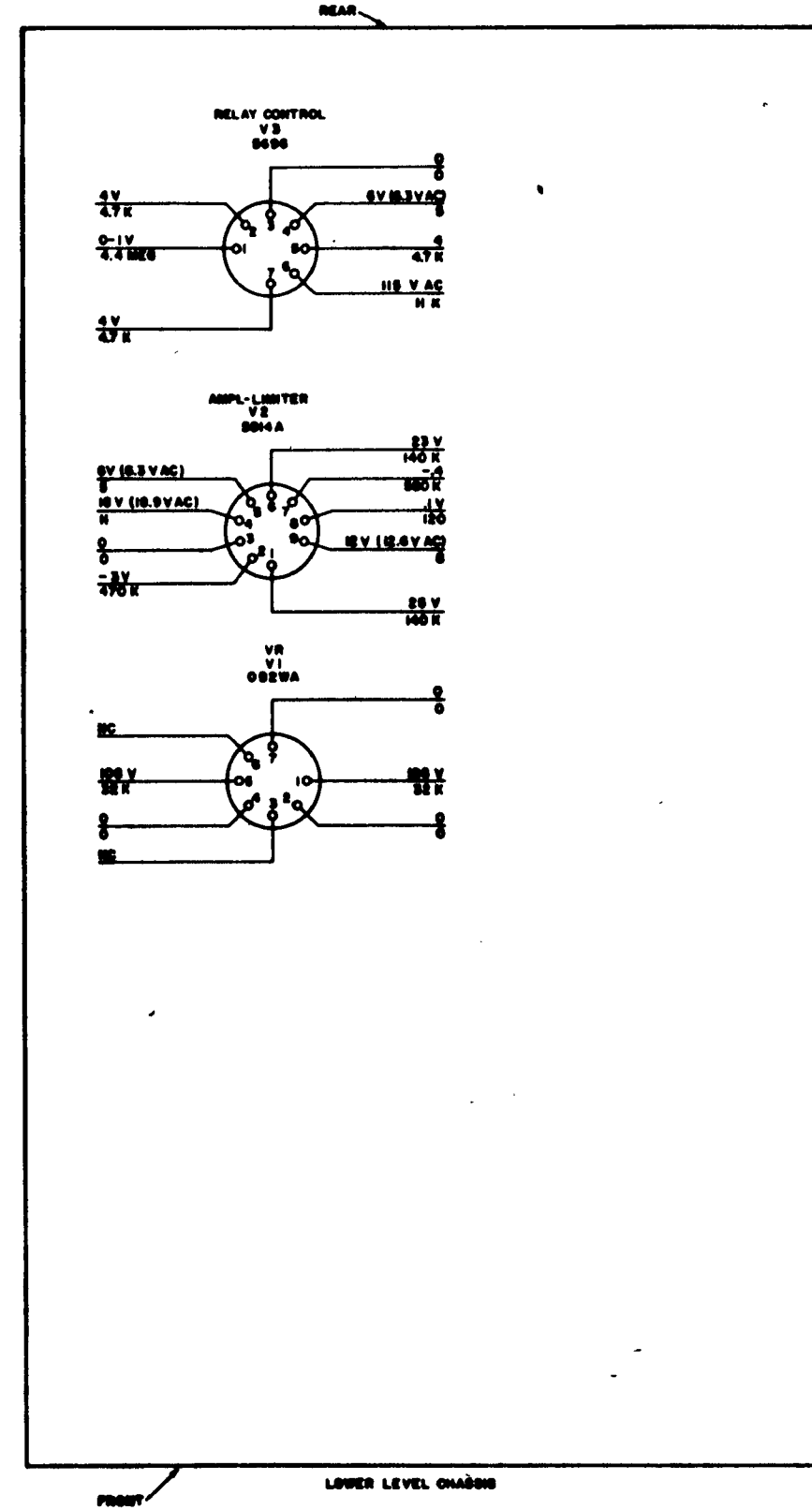
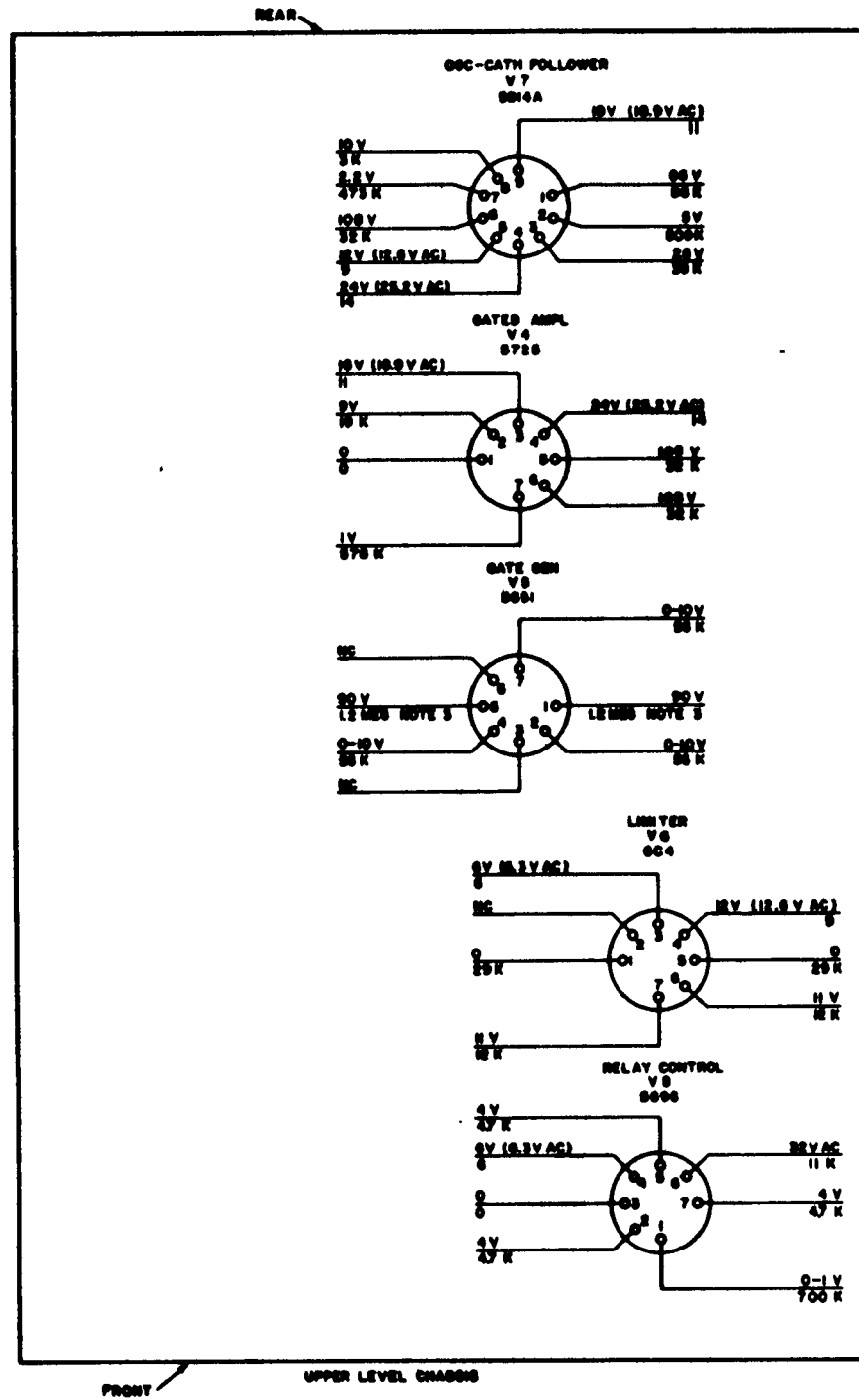


Figure 26. Voltages and resistances of tube sockets.

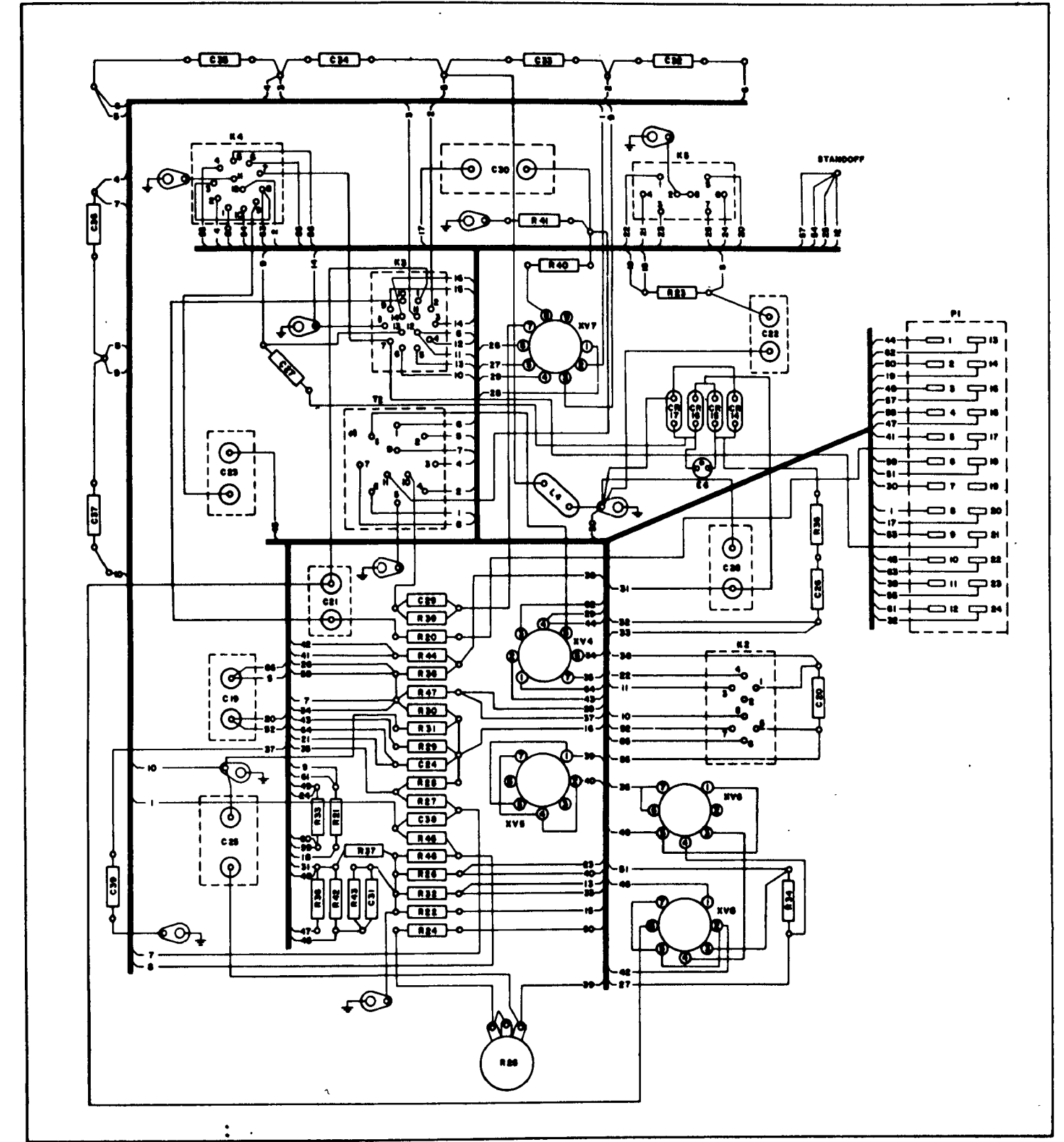


Figure 26. Upper level chassis, wiring diagram.



FILL IN YOUR  
UNIT'S ADDRESS

FOLD BACK

DEPARTMENT OF THE ARMY

OFFICIAL BUSINESS

PENALTY FOR PRIVATE USE, \$300

POSTAGE AND FEES PAID  
DEPARTMENT OF THE ARMY  
DOD-314



Commander  
US Army Electronics Command  
ATTN: DRSEL-MA-Q  
Fort Monmouth, New Jersey 07703

FOLD BACK